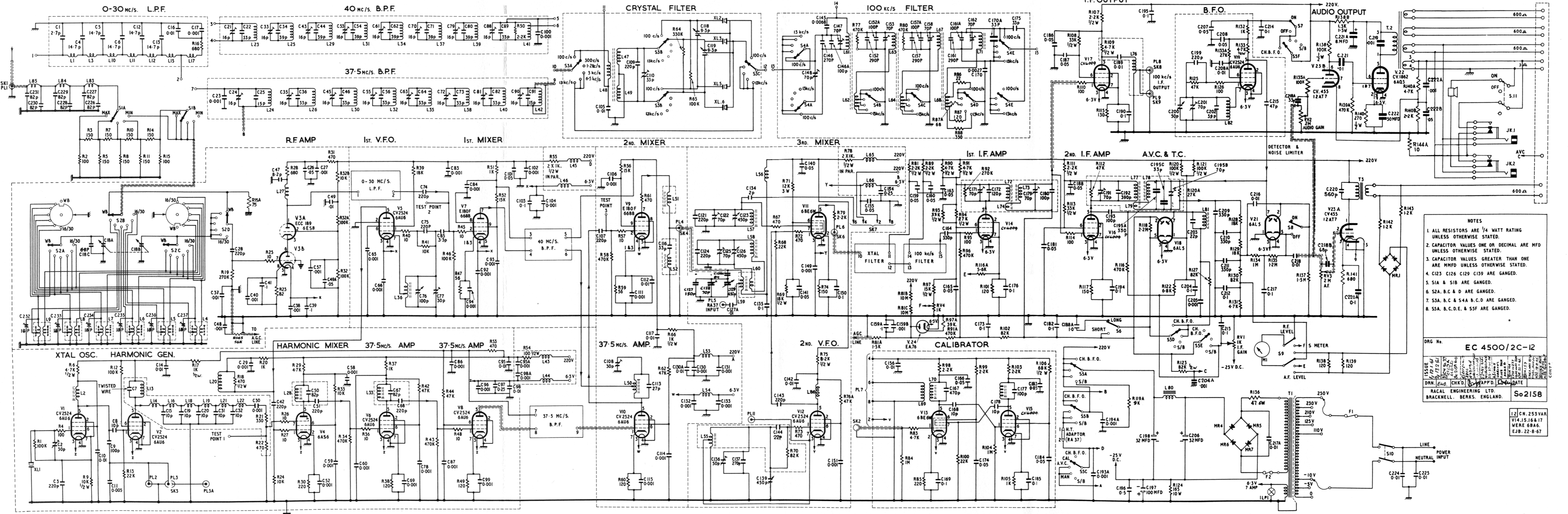


XL1	V1	R10	V2	V3-4	V5-6	V7-8	V9-10	XL2-7	V11-12	V13	V14	V15	V16	V17	V18	R120	R125	R130	V19-21	R133	V22-23	TUBES & CRYSTALS																							
R1	R5	R10	R15	C15	C20	R20	R25	R30	R35	R40	R45	R50	R55	C105	R60	C110-115	R65	C120-125-130	C135	R70	C140	R75	C145-150	C155	R80	R85	R90	R95-100	C160	C165	C170	C175	C180-185	R110	R115	C190	C195	C200	C205	C210	C215	C220	R140	R144	RESISTORS
L1	C1	C5-10	C15	C20	C25	C30	C35-40	C45-50	C55	C60	C65	L35	C70	C75	C80-85	C90	C95	C100	L45	L50	S3A	S3B	PL4-SK4	PL5	PL11	S4A	S4B	S4C	S4D	S4E	S5A-C	S6	S5D	S5E	S5F	S7	S8-9	RV1	RV2-3	F1	S10	S11	JK1-2	PL10	MISCELLANEOUS
S2A	S1A	S2B	S1B	S2D	S2C	TP1	TP2	TP3	S3A	S3B	PL4-SK4	PL5	PL11	S4A	S4B	S4C	S4D	S4E	S5A-C	S6	S5D	S5E	S5F	S7	S8-9	RV1	RV2-3	F1	S10	S11	JK1-2	PL10	MISCELLANEOUS												



RECEIVER TYPE RAI7C-12

NOTES

1. ALL RESISTORS ARE 1/4 WATT RATING UNLESS OTHERWISE STATED.
2. CAPACITOR VALUES ONE OR DECIMAL ARE MFD UNLESS OTHERWISE STATED.
3. CAPACITOR VALUES GREATER THAN ONE ARE MMFD UNLESS OTHERWISE STATED.
4. C123 C126 C129 C139 ARE GANGED.
5. S1A & S1B ARE GANGED.
6. S2A, B, C & D ARE GANGED.
7. S3A, B, C & S4A, B, C, D ARE GANGED.
8. S5A, B, C, D, E, & S5F ARE GANGED.

DRG No. EC 4500/2C-12

ISSUE 1/1/61

DRN. ENO. CHKD. APPD. DATE

RACAL ENGINEERING LTD. BRACKNELL, BERKS. ENGLAND. So2158

12 CN 253VAR V4.15.16.17 WERE 68A6. EJB. 22-8-67